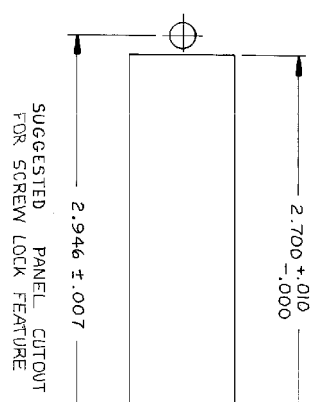
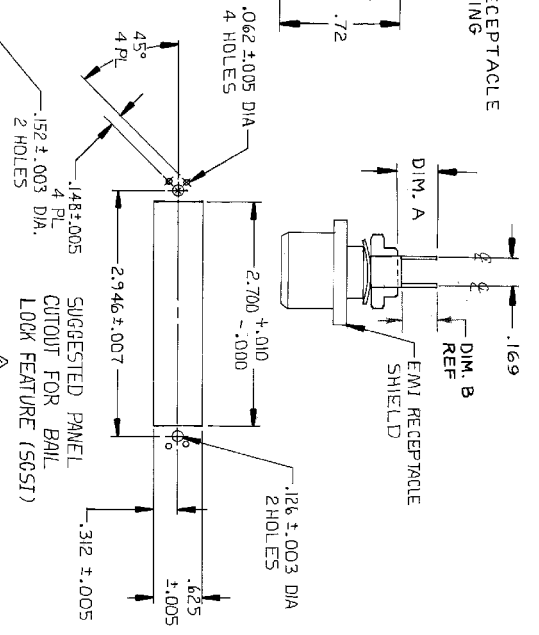
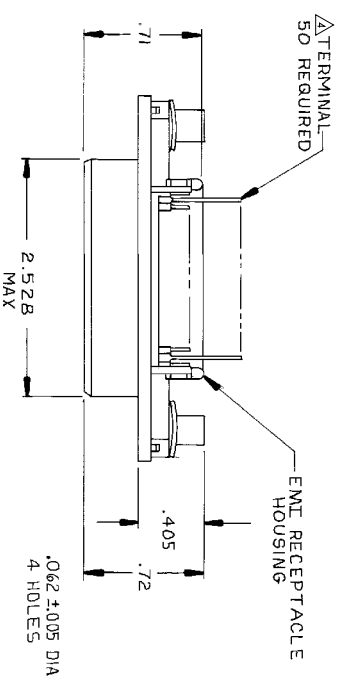


1. THE CONTACT SURFACE OF THE TERMINALS ARE COATED WITH TERNOLAN.
 2. ALL DIMENSIONS SHOWN ARE FOR REFERENCE ONLY UNLESS OTHERWISE SPECIFIED.
- MATERIAL:
- HOUSING - THERMOPLASTIC BLACK
 - TERMINALS - PLATED WITH EITHER 5000050 MIN GOLD PLATE OR GOLD FLASH OVER PALLADIUM NICKEL PLATE .000030 MIN TOTAL ON TERMINAL SURFACE
 - STUD RECEIVER - STAINLESS STEEL
 - SHIELD - NICKEL PLATED DIE CASTING
1. THE CONTACT SURFACE OF THE TERMINALS IS .085, CENTER-TO-CENTER SPACING OF TERMINALS IS .085.
2. HOLES TO BE TAPERED AFTER PLATING.
3. USE HARDWARE KIT 5548B-3 FOR PART NUMBERS 554217-3 AND -4 WHEN BALL LOCK FEATURE IS REQUIRED.
4. THE BALL LOCK FEATURE HAS APPLICATION FOR SMALL COMPUTER SYSTEMS INTERFACE (SCSI).



THIS DRAWING IS A CONTROL DOCUMENT.

REV.	DATE	DESCRIPTION	BY	CHKD.
1				
2				
3				
4				
5				
6				
7				
8				

DATE: 08-00237

BY: [Signature]

CHKD: [Signature]

DESCRIPTION: REVISED PER ECN 08-00237